

5" Poke-Through Floor Boxes

FOR USE WITH THESE FLOOR FINISHES: WOOD • TILE • VINYL • TERRAZZO • CARPET • CONCRETE

EXCEEDS UL SCRUB WATER TESTING

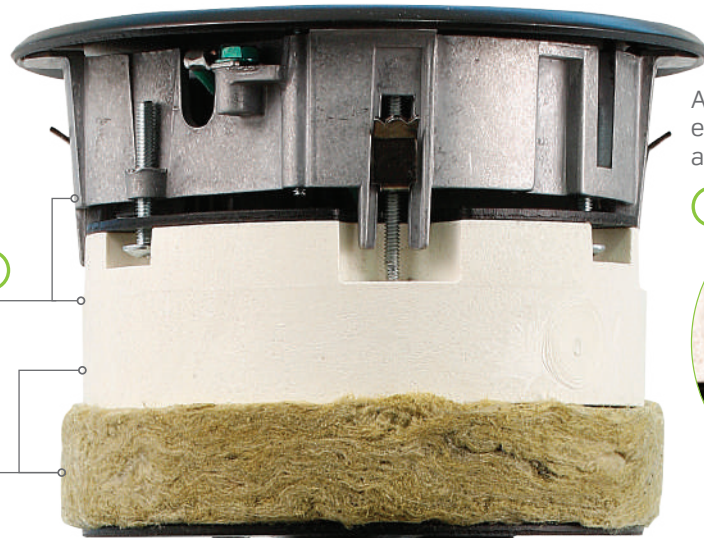
Self-leveling: two-piece construction levels device up to 4-degrees

Intumescent fire block & insulation provide 2+ hours of fire-rating

Low voltage divider slots adjust to accommodate different device sizes

Pre-installed gaskets & ground wire speed installation

Adjustable anchoring clips ease removal for inspections, adjustments and repairs

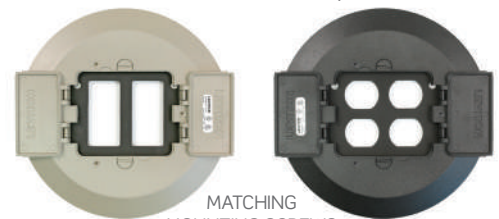


Removeable, threaded conduit connections



AVAILABLE IN FIVE DIFFERENT CONFIGURATIONS IN BLACK, GRAY, NICKEL OR BRASS POWDER COAT

2-Gang Flip Lid
Decora - PTC2F Duplex - PTC2X



MATCHING MOUNTING SCREWS



2-Gang Decora Door-in-Door - PT526 Furniture Feed - PT5FF Abandonment Plate - PT5AB

Covers come with low voltage divider (except pre-wired versions)

PRE-WIRED VERSIONS
Four 20 Amp receptacles and four Quickport® inserts (blank inserts also included)

INDUSTRY-EXCLUSIVE DOOR-IN-DOOR DESIGN
hides flip lids and maintains flush, clean appearance even when in use



Pre-Wired (Door-in-Door Style) - PT544
Accommodates both power and data

Specifications

Description	PT500 Poke-Through System	PT544-2, PT526-, PTC2F-, PTC2X-, PT5FF and PT5AB Covers
Environmental Specifications		
Duration Of Fire Protection	Certified for Fire Resistance in 1, 1-1/2 & 2hr fire rated concrete floors	
Operating Temperature	-40°C to 70°C	
Material Specifications		
Mounting Flange	Aluminum	-
Temporary Plate Material	Steel	-
Cover Material	-	Aluminum
Cover Dimensions	-	8.38" Diameter X 0.36" High
Mechanical Specifications		
Gasket	-	Pre-installed on Cover
Conduit Feeds	Power Feed: 3/4" EMT Conduit Data Feed: 1 1/2" EMT Conduit Connector	-
Cubic Inch Capacity	23.7 cu. in.	-
EMT Pipe Size	12"	-
Poke-Through Hole	5" Core Drill	-
Standards & Certifications		
Applicable Standards	UL514A, UL263, CSA C22.2 No. 18.1, NOM ANCE	UL514A, UL263, CSA C22.2 No. 18.1
Certification/Listing	cULus	
UL File No.	E92327, R40253	
Warranty	5-Year Limited	

Testing

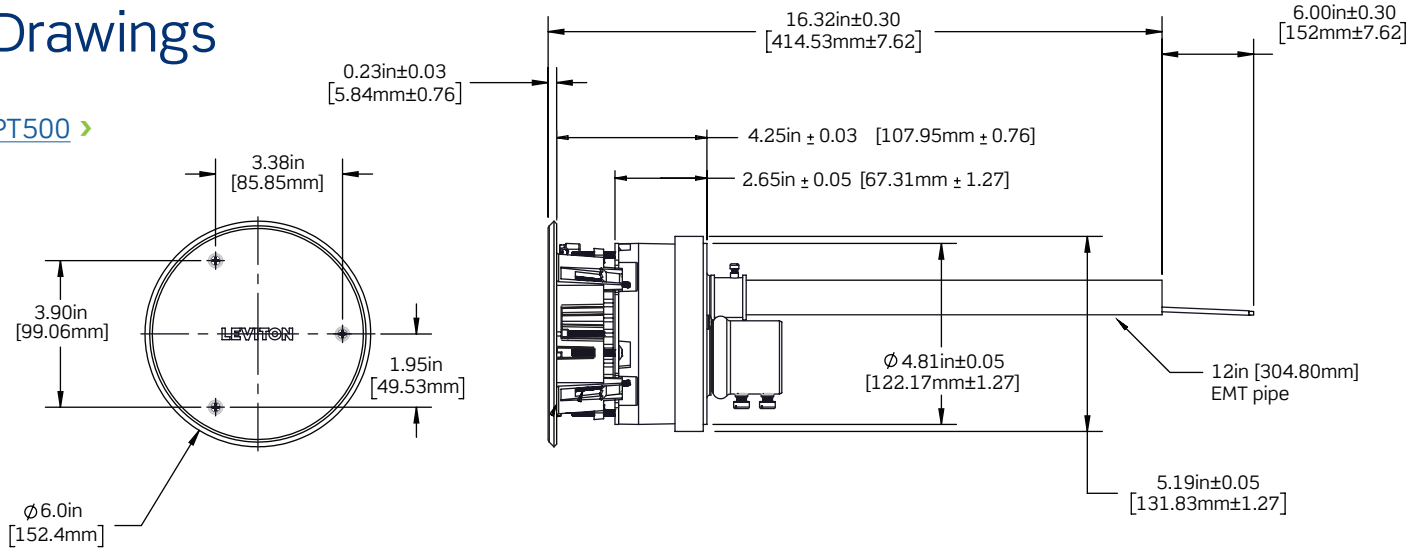
Description	Results
UL 514A Scrub Water	Exceeds UL scrub water testing requirement, allowing no water ingress for a water height of 2" for 1 minute (UL criteria is 1/8" for 1 minute)
UL 514A Load Capacity	Exceeds UL standard requirement of 300 lbs. by over 3X, reaching up to 1000 lbs.
Abrasion*	Covers demonstrated no wear and tear** up to 10,000 cycles of 000 Steel Wool application (1/2" Wide 000 Steel Wool under a load of 2lb, reciprocating over a span of 2")
Cleaning Agents*	Covers were subjected to the following conditions and demonstrated no wear and tear**: <ul style="list-style-type: none"> Wiped with 100% Concentrated Ammonia (12 applications over a 24-hour period) Wiped with 100% Concentrated Bleach (12 applications over a 24-hour period) Dipped in 100% Concentrated Ammonia (for 1 week) Dipped in 100% Concentrated Ammonia (for 1 week)
ASTM B117 Salt Fog Test Standard	Covers demonstrated no change after 96-hour period

* internal testing conducted by Leviton

** wear and tear = no signs of damage or penetration of the painted surface

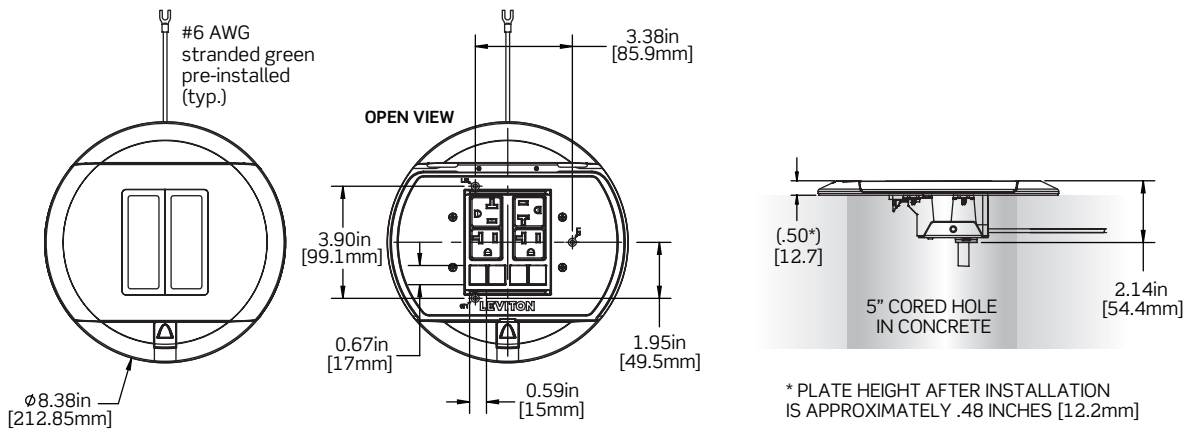
Drawings

PT500 >



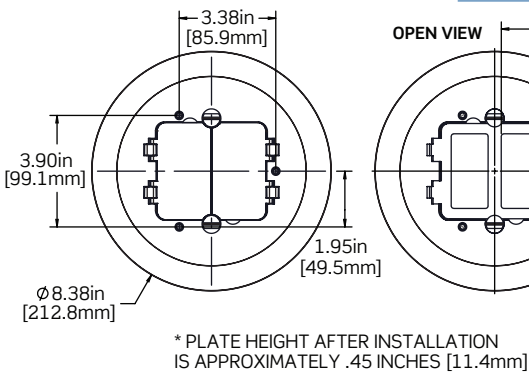
NOTE: OPEN VIEW DENOTES ELECTRICAL / RECEPTICAL OPENINGS. EXTERIOR LID REMOVED FOR CLARITY.

PT544 >



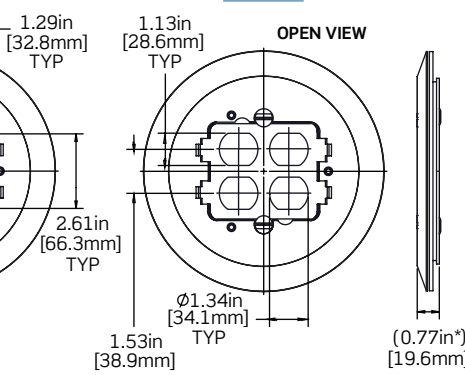
* PLATE HEIGHT AFTER INSTALLATION IS APPROXIMATELY .48 INCHES [12.2mm]

PTC2F >

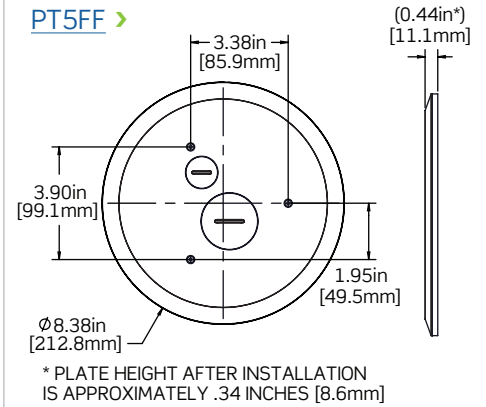


* PLATE HEIGHT AFTER INSTALLATION IS APPROXIMATELY .45 INCHES [11.4mm]

PTC2X >

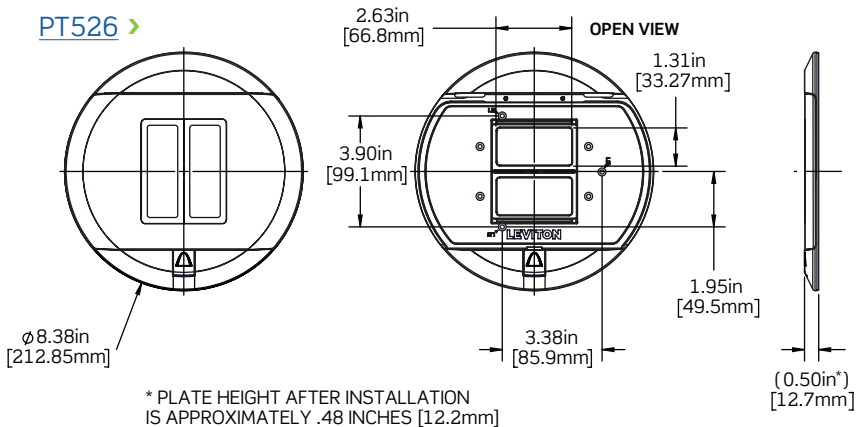


PT5FF >



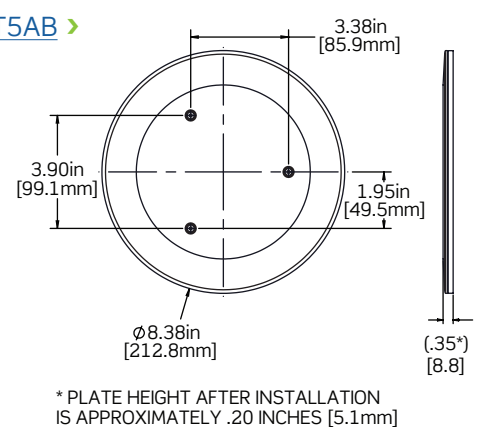
* PLATE HEIGHT AFTER INSTALLATION IS APPROXIMATELY .34 INCHES [8.6mm]

PT526 >



* PLATE HEIGHT AFTER INSTALLATION IS APPROXIMATELY .48 INCHES [12.2mm]

PT5AB >



* PLATE HEIGHT AFTER INSTALLATION IS APPROXIMATELY .20 INCHES [5.1mm]

Ordering Information

Poke-Through Floor Boxes

Cat. No	Description	Color
Device		
PT500	5" Poke-Through Device	
Covers		
PT544-2	Pre-Wired Door-in-Door Floor Cover	-B, -N, -E, -GY*
PT526-	2-Gang Decora Door-in-Door Floor Cover	-B, -N, -E, -GY*
PTC2F-	2-Gang Decora Flip Lid Floor Cover	-B, -N, -E, -GY*
PTC2X-	2-Gang Duplex Flip Lid Floor Cover	-B, -N, -E, -GY*
PT5FF-	Furniture Feed Floor Cover	-B, -N, -E, -GY*
PT5AB-	Abandonment Floor Plate	-B, -N, -E, -GY*

*To order colors, add suffix to Cat. No.:
Brass (-B), Nickel (-N), Black (-E), Gray (-GY)

Accessories for Poke-Through Floor Boxes

Cat. No	Description	Color
FB2DE-I	2-Port Decora Recessed Data Strap	Ivory
FB2DU-I	2-Port Duplex Recessed Data Strap	Ivory
WBR20-	20 Amp Weather-Resistant Duplex Receptacle	-W, -Y, -E, -BU, -R, -I, -GY**
TWR20-	20 Amp Weather-Resistant, Tamper-Resistant Duplex Receptacle	-W, -Y, -I, -GY**

For any jack over the height of 0.100" from the faceplate, use FB2DE/FB2DU data straps, listed above

**To order colors, add suffix to Cat. No:
Ivory (-I), Brown (-B), Gray (-GY), White (-W), Black (-E), Light Almond (-T), Blue (-BU), Red (-R), Yellow (-Y)



Looking for reliable voice/data/AV connections?

Check out QuickPort® style Atlas-X1™, eXtreme, GigaMax and AV modules

Inserts	Cat. No
Decora Multimedia Insert, 1 Port	41641-00**
Decora Multimedia Insert, 2 Ports	41642-00**
Decora Multimedia Insert, 3 Ports	41643-00**
Decora Multimedia Insert, 4 Ports	41644-00**
Decora Multimedia Insert, 6 Ports	41646-00**
Duplex Type 106 Insert, 2 Ports	41087-2**P
Duplex Type 106 Insert, 4 Ports	41087-Q**P

** = color: White (W), Lt. Almond (T), Ivory (I), Gray (G), Black (E), Brown (B)

AV Couplers	Cat. No
HDMI, White	40834-00W
USB, White	40835-00W
F-Connectors, Nickel Plated, White	41084-FWF
F-Connectors, Gold Plated, White	40831-FWG
Blank Insert, Bag of 10, White	41084-0BW

Data Jacks	UTP Jack	UTP Shuttered Jack	Shielded Jack	Shielded Shuttered Jack
Atlas-X1 Cat 6A	6AUJK-R*6	6AUJK-S*6	6ASJK-R*6	6ASJK-S*6
Atlas-X1 Cat 6	61UJK-R*6	61UJK-S*6	61SJK-R*6	61SJK-S*6
Atlas-X1 Cat 5e	5EUJK-R*5	5EUJK-S*5	5ESJK-R*5	5ESJK-S*5
eXtreme Cat 6A	6110G-R*6	-	-	-
eXtreme Cat 6	61110-R*6	-	-	-
eXtreme Cat 5e	5G110-R*5	-	-	-
GigaMax Cat 5e	5G108-R*5	-	-	-

For any jack over the height of 0.100" from the faceplate, use FB2DE/FB2DU data straps, listed above

* = color: Crimson (C), Dark Purple (P), Blue (L), Green (V), Red (R), Light Ivory (I), Yellow (Y), Orange (O), Gray (G), Black (E), Almond (T), White (W), Brown (B)

For more data and networking solutions, contact your local Leviton representative.

Visit our Website at:

www.leviton.com/floorboxes

email: commercial@leviton.com

Q-1276

012721

Leviton Manufacturing Co., Inc.

201 N Service Rd, Melville, NY 11747

Telephone: 1-800-323-8920 • FAX: 1-800-832-9538

Tech Line: 1-800-824-3005 (M-F 8AM-10PM; Sat 9AM-7PM; Sun 9AM-5PM)

© 2021 Leviton Manufacturing Co., Inc. All rights reserved.

