

MOS speakON® Connector

APPLICATION

The speakON connector is the standard chassis connector for loudspeaker/amplifier interconnections. It features a unique metal locking system, making contact only once fully locked. The speakON receptacles are robust, versatile, and easy to terminate. When installed in a Multimedia Outlet System (MOS) Passthrough Module, the assembly can easily snap into any MOS wallplate.



Connector installed in a MOS Passthrough Module

FEATURES

- Current rating 30 A rms
- Glass-reinforced materials make it extremely robust and dependable
- Precise keyway for secure mating
- Accurate twist-lock latching system
- Metal insert in locking area
- Quality design by Neutrik AG

DESIGN CONSIDERATIONS

- Connector must be installed in 1.5U MOS passthrough module (41297-2Px)
- 4-pole male connector with screw termination
- Accepts both 2-pole and 4-pole plugs
- For use with 12-gauge wiring
- NOTICE: speakON is NOT to be used as a power supply connector

MECHANICAL SPECIFICATION

Dimensions: See below
 Contacts Materials: Bronze
 Shell Material: Polyamide
 Lifetime: > 5000 mating cycles
 Wire size: 12 gauge
 Wiring: Screw terminals

ELECTRICAL SPECIFICATION

Contact resistance: ≤ 3 mΩ (inner) (after lifetime)
 Dielectric strength: 4 kVdc (peak)
 Insulation resistance: > 1 GΩ (after dampheat)
 Rated current per contact: 30 A rms continuous
 Rated current per contact: 40 A audiosignal, duty cycle 50 %
 Rated voltage: 250 V (Insulation)

ENVIRONMENTAL SPECIFICATIONS

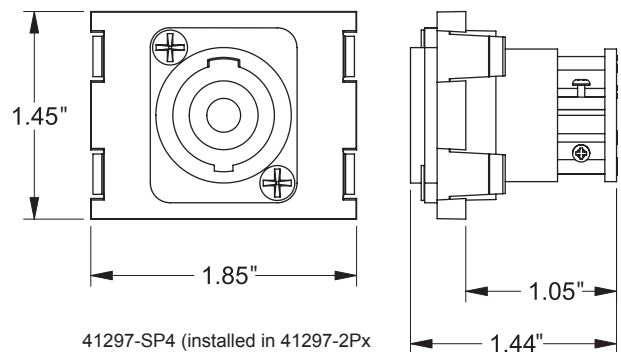
Temperature: 30 °C to +80 °C
 Flammability: UL 94 HB
 Solderability: Complies with IEC 68-2-20

COUNTRY OF ORIGIN

Liechtenstein

WARRANTY INFORMATION

For a copy of Leviton product warranties, visit www.leviton.com/warranty.



41297-SP4 (installed in 41297-2Px MOS Passthrough Module)



PART NUMBER	
Description	Part No.
MOS speakON Connector, 4-pole, screw terminal	41297-SP4