

GigaMax™ Cat 5e UTP QuickPort™ Jack

APPLICATION

The GigaMax Cat 5e UTP QuickPort Jack is designed to be used with any Category 5e UTP structured cabling system. The modular connector features a one-piece narrow design that supports high port density in a small area, and is ideal for use in residential, MDU, and high-megabit applications.



SPECIFICATION

The modular jack shall meet or exceed requirements for Category 5e described in the ANSI/TIA-568.2-D standard, as well as the Class D requirements described in ISO/IEC 11801-1. The jack shall also be in compliance with all National Electrical Codes; compliant with ANSI/TIA-1096-A; UL listed; and independently UL Certified. In addition to Category 5e compliance, the jack shall have the ability to support high megabit and shared-sheath applications. All plastics used in construction of the connector bodies shall be fire-retardant with a UL flammability rating of 94V-0. Termination of all jacks shall be 110-type IDC with solder-plated phosphor bronze contacts. The jack shall provide a ledge directly adjacent to the 110-style termination against which the wires can be directly terminated and cut in one action by the installer. Jack wiring label shall provide installation color codes for both T568A and T568B wiring schemes. The modular hardware shall fit all other installed telecommunications wallplates, outlets and field-configurable patch panels and patch blocks.

COUNTRY OF ORIGIN

USA

FEATURES

- Available in 13 colors
- Dual wiring code label allows connector to be wired to either T568A or T568B
- Individual port configurability allows specification flexibility
- Robust one-piece lead-frame design increases power-carrying capacity and efficiency, while providing improved durability
- Narrow connector allows high port density in a small area
- Will exceed IEEE 802.3bt standard up to 0.7 amps (140 watts) continuously
- Supports high-megabit and shared-sheath applications
- Available individually, in bulk packages of 25, and in bulk packages of 150 with a JackRapid™ Punchdown Tool

DESIGN CONSIDERATIONS

- Use in any QuickPort® housing to support GigaMax Cat 5e UTP connectivity in surface-mount, flush-mount, or modular furniture outlets, or patch panels and patch blocks
- Can be used in conjunction with other QuickPort snap-in modules for voice/data and video applications over UTP, coax and fiber
- To ID ports, use different colored modules for each application

STANDARDS COMPLIANCE

- ANSI/TIA-568.2-D (Cat 5e)
- ISO/IEC 11801-1 (Class D)
- cULus listed
- RoHS 2 Compliant
- ANSI/TIA-1096-A (Formerly FCC Part 68)
- IEEE 802.3bt PoE Type 1 (15.4 Watts) formerly 802.3af, Type 2 (30 Watts) formerly 802.3at, Type 3 (60 Watts), Type 4 (90 Watts)
- Cisco UPoE (60 Watts), UPoE+ (90 Watts)
- Power over HDBaseT™ PoH (95 Watts)
- UL 2043 Plenum Certified

PHYSICAL SPECIFICATIONS

Dimensions: See page two

Materials: Jack body is high-impact, fire-retardant plastic rated UL 94V-0.

Environmental

Conditions: **Storage Temperature:** -40 °C to +70 °C

Operating Temperature: -10 °C to +60 °C

Leviton Network Solutions

2222 - 222nd St. SE
Bothell, WA 98021-4416

tel 1-800-824-3005
tel +1-425-486-2222
appeng@leviton.com
www.leviton.com

Asia / Pacific

T +1.631.812.6228
E infoasean@leviton.com

Europe

T +44.0.1592.772124
E customerserviceeu@leviton.com

Canada

T +1.514.954.1840
E pcservice@leviton.com

Mexico

T +52.55.5082.1040
E lsamarketing@leviton.com

Caribbean

T +1.954.593.1896
E infocaribbean@leviton.com

Middle East & Africa

T +971.4.247.9800
E lmeinfo@leviton.com

China

T +852.2774.9876
E infochina@leviton.com

South Korea

T +82.2.3273.9963
E infokorea@leviton.com

Colombia

T +57.1.743.6045
E infocolombia@leviton.com

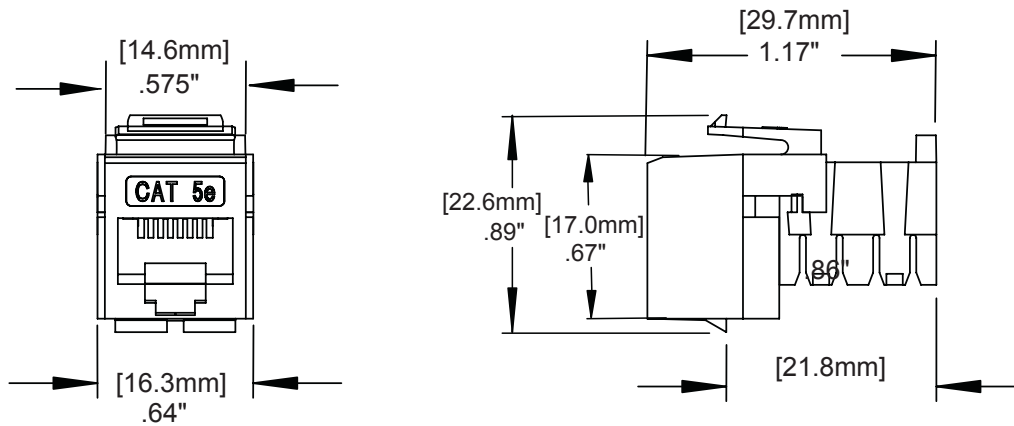
ELECTRONIC FILES

For CAD files, typical specs, or technical drawings (.DXF, .DWG), visit www.leviton.com.

WARRANTY INFORMATION

Limited product and limited extended warranties are rendered VOID if the installed structured cabling system is used for Power over Ethernet applications that exceed the product's specified power rating.

For a copy of Leviton product warranties, visit www.leviton.com/warranty.



PART NUMBERS

Description	Jack	QuickPack™ 25/Bag	150/Bag with JackRapid™ Tool
GigaMax™ Cat 5e UTP QuickPort™ Jack, white	5G108-RW5	5G108-BW5	5G108-JW5
GigaMax Cat 5e UTP QuickPort Jack, ivory	5G108-RI5	5G108-BI5	5G108-JI5
GigaMax Cat 5e UTP QuickPort Jack, orange	5G108-RO5	5G108-BO5	5G108-JO5
GigaMax Cat 5e UTP QuickPort Jack, blue	5G108-RL5	5G108-BL5	5G108-JL5
GigaMax Cat 5e UTP QuickPort Jack, black	5G108-RE5	5G108-BE5	5G108-JE5
GigaMax Cat 5e UTP QuickPort Jack, light almond	5G108-RT5	5G108-BT5	5G108-JT5
GigaMax Cat 5e UTP QuickPort Jack, gray	5G108-RG5	5G108-BG5	5G108-JG5
GigaMax Cat 5e UTP QuickPort Jack, crimson red	5G108-RC5	5G108-BC5	5G108-JC5
GigaMax Cat 5e UTP QuickPort Jack, yellow	5G108-RY5	5G108-BY5	5G108-JY5
GigaMax Cat 5e UTP QuickPort Jack, green	5G108-RV5	5G108-BV5	5G108-JV5
GigaMax Cat 5e UTP QuickPort Jack, purple	5G108-RP5	5G108-BP5	5G108-JP5
GigaMax Cat 5e UTP QuickPort Jack, brown	5G108-RB5	5G108-BB5	5G108-JB5
GigaMax Cat 5e UTP QuickPort Jack, dark red	5G108-RR5	5G108-BR5	5G108-JR5

